



KPPX/KPJX Series
Snap and Lock PCB and Cable Mount

Features 

- Laptop Computers, Power Supplies and Other Portable Digital Equipment Applications
- Snap and Lock Feature Helps to Prevent Accidental Disconnects
- 3 or 4 Pins Transmit Power, or One Pin Can be Used For Signal Transmission
- For Signal and DC Power Applications
- Plugs Supplied in Kits Ready for Assembly
- CSA/NRTL Certified File No. LR78160

Performance Specifications

Materials and Finish

Jack

Shield: Tin Plated
Body: PBT UL94 V-0 Rated

Plug

Body: ABS UL94 HB

Electrical Characteristics

Contact Rating

3 Position : Pin 1 and 2, 20V DC at 7.5A Max.,
Pin 3, 20V DC 1.0A Max.

4 Position : 20 V DC 7.5A Max. for all Pins

Insulation Resistance : 50 Megohms Min. at 250V DC

Dielectric Strength : 250V AC for 1 Minute

Contact Resistance : 30 Milliohms Max.

Mechanical Characteristics

- Durability Test : 1000 Cycles
- Suggested Wire Awg. #18 for Power Wires, #24 for Signal Wire

DC POWER CONNECTORS

KPJX / KPPX Series

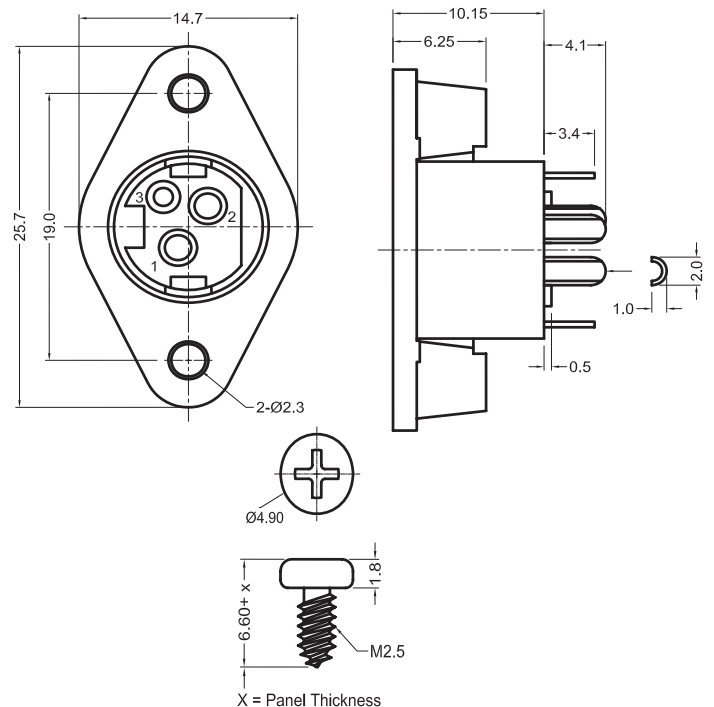
Documentation & Ordering Information

Kycon Part #

Part Number Builder

Series	Mounting Option	No of Contacts	Contact Type	Shield Option
Series				
KPJX - Right Angle PCB Mount Receptacle				
KPJXHT - High Temp				
KPPX - Snap and Lock DC Power Plug Cable Mount				
Mounting Option				
Blank - PCB Mount				
CM - Cable Mount (KPJX Only)				
PM - Panel Mount (KPJX Only)				
Number of Contacts				
3 Pin				
4 Pin				
Contact Type				
S - Socket (KPJX Only)				
P - Plug (KPPX Only)				
Shield Option				
Blank - Non-Shielded				
S - Shielded (KPJX, KPJX-PM and KPJXHT only)				

KPJX-PM-3S-S

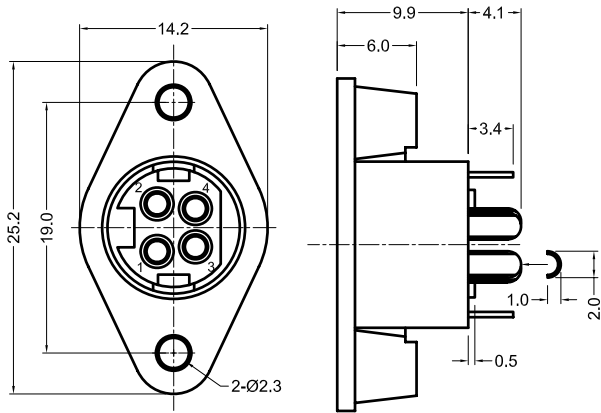


[Click Here for KPPX Assembly Instructions](#)

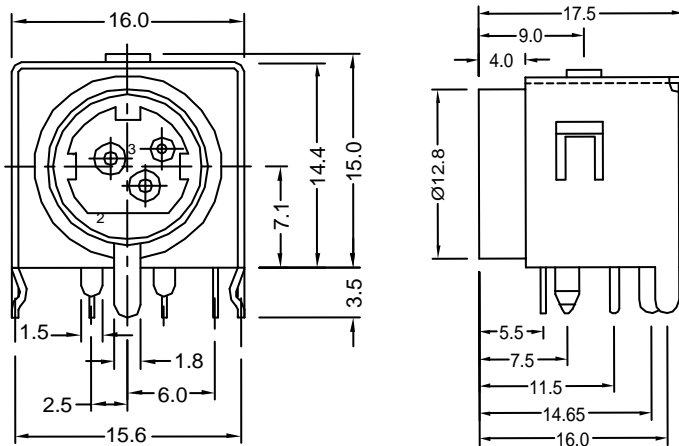
KPJX Series Dimensions

Dimensions in mm

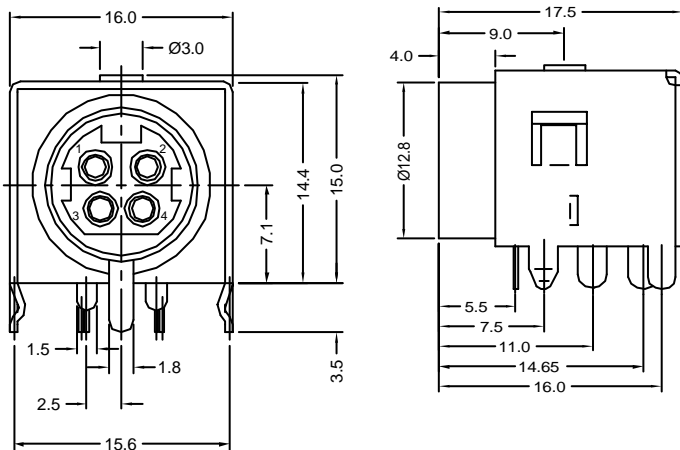
KPJX-PM-4S



KPJX-3S-S



KPJX-4S-S



KPPX Series Dimensions

Dimensions in mm

